

AMERICAN LEATHER® AMERICAN LEATHER® CLASSICS COLLECTION SOFAS & SECTIONALS

Standard Features:

- Advanced unidirectional suspension system
- Premium high-density, high-resiliency foam seats
- Loose back and seat cushions
- Double-needle top-stitch
- Quick-ship delivery
- Limited lifetime warranty on frame and suspension

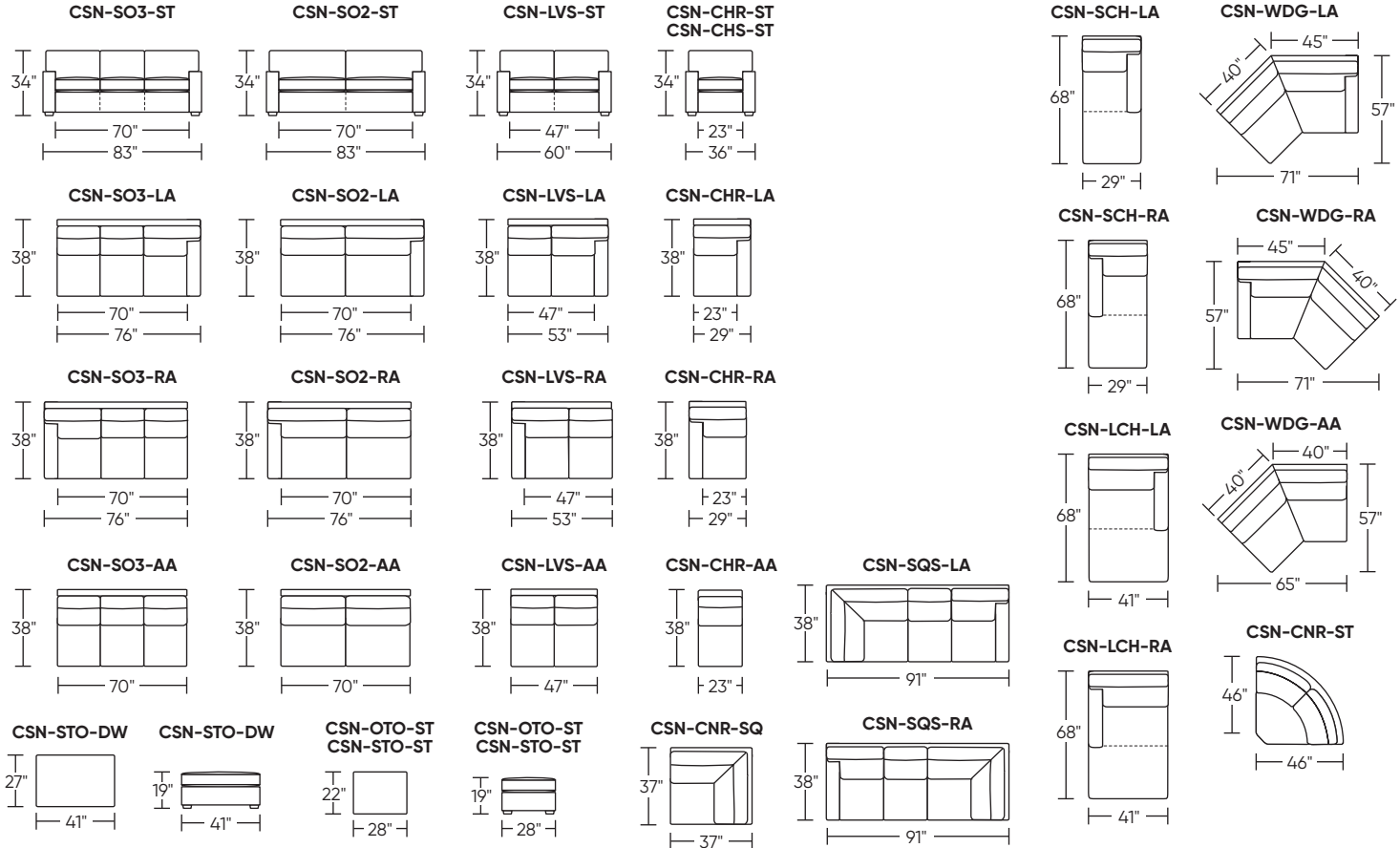
Options:

- Premium high-density, high-resiliency foam seats encased in down
- Extra-firm premium high-density, high-resiliency foam seats encased in down
- Extra-firm premium high-density, high-resiliency foam seats
- Premium high-density, high-resiliency spring foam seats
- Premium high-density, high-resiliency spring foam seats encased in down
- Premium high-density, high-resiliency foam seats encased in Trillium
- Wood legs available in Dune, Ebony, Mink, or Oiled Ash finish

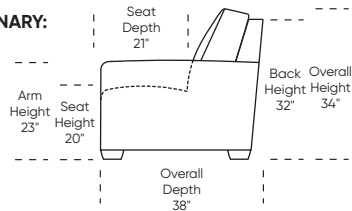
**Recommended to use a battery pack with the motorized swivel recliner CSN-RCC-SW because of its low profile and swivel function. Plugging it into the wall is not advised.*

Please use actual leather, fabric, Crypton®, Sunbrella® and Ultrasuede® swatches when specifying furniture as the colors shown may vary due to the printing process.

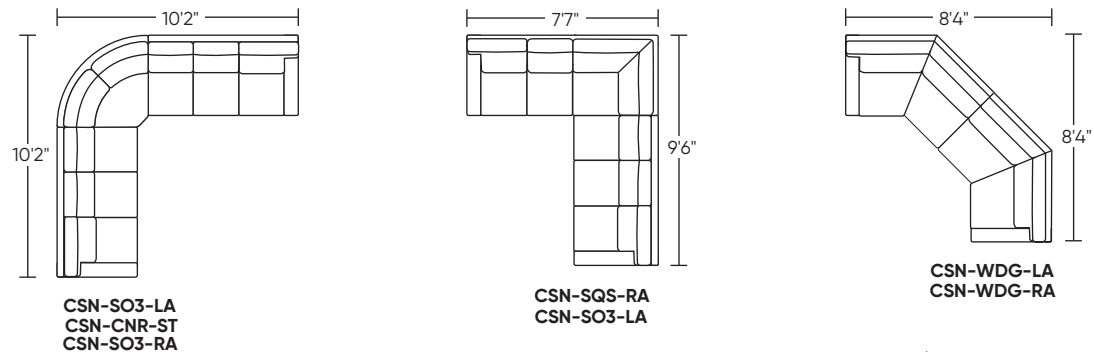
CARSON



STATIONARY:



Suggested Configurations



Note: Dotted line indicates seam on leather, Ultrasuede® and up the roll fabrics. Seams are eliminated with railroded fabrics.

Scale: 1/8 inch = 1 foot
All dimensions are approximate and subject to change.
Specify components from the sitting position.